

- KD-1350A KD-1350W KD-1350N
- KY-1350A KY-1350W KY-1350N

K-1350 Ice Kube Machine PRELIMINARY



- Easy access to food zone with removal of two screws and lift-off door
- High-tech exterior with smudge and fingerprint resistant stainless-like finish
- White plastics in the food zone help identify areas needing cleaning
- Water shield, distribution tube, pump, floats, and trough removable by hand
- Available CleanAir™ pack controls the growth of bacteria and fungi that form slime and cause odors in the food zone

WARRANTY:

Ice Maker: 3 year Parts & Labor
 Evaporator: 5 year Parts & Labor
 Compressor: 5 year Parts & 3 year Labor

K-1350
ICE KUBE MACHINE



HALF KUBE
 $\frac{3}{8}'' \times 1\frac{1}{8}'' \times \frac{7}{8}''$
 (.95 x 2.86 x 2.22 cm)

❄️ = 100%
 🚰



KUBE
 $\frac{7}{8}'' \times \frac{7}{8}'' \times \frac{7}{8}''$
 (2.22 x 2.22 x 2.22 cm)

❄️ = 100%
 🚰

KOOLAIRE®

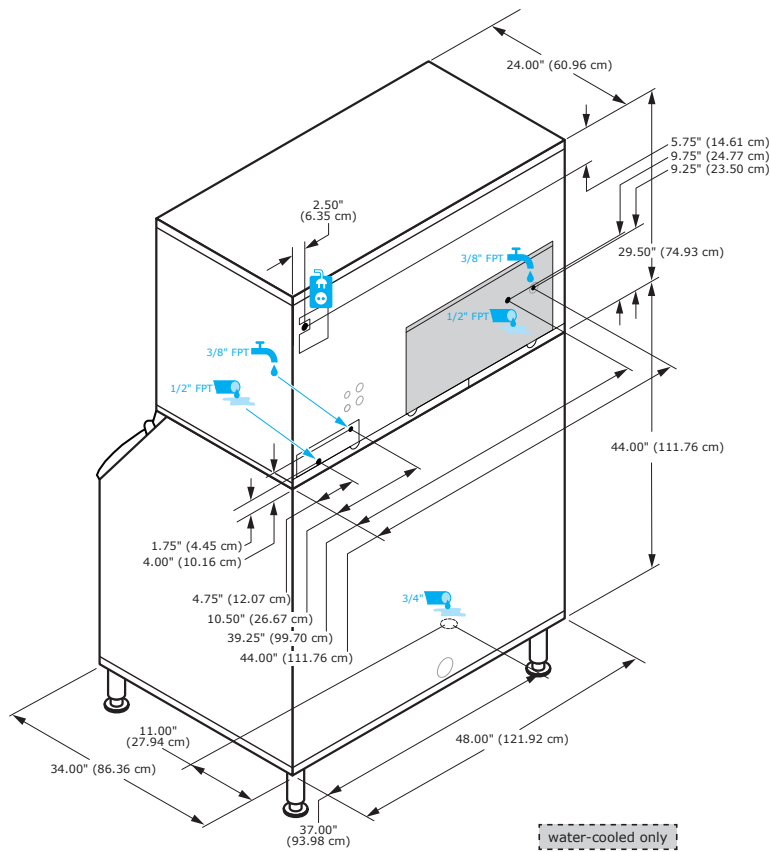
by **Manitowoc**

2110 SOUTH 26TH ST | MANITOWOC, WI 54220 USA | 1-920-682-0161 | www.kool-aire.com



K-1350 ICE KUBE MACHINE

Model	Icon 1	Icon 2	24h		[kWh/100 lbs ice]	[gal/100 lbs ice]
			70°/50°F 21°/10°C	90°/70°F 32°/21°C		
KD-1350A			1350 lbs	1100 lbs	5.3	20.0
			612 kg	499 kg		
KY-1350A			1350 lbs	1100 lbs	5.3	20.0
			612 kg	499 kg		
KD-1350W			1350 lbs	1100 lbs	4.3	20.0
			612 kg	499 kg		
KY-1350W			1350 lbs	1100 lbs	4.3	20.0
			612 kg	499 kg		
KD-1350N			1350 lbs	1100 lbs	5.1	20.0
			612 kg	499 kg		
KY-1350N			1350 lbs	1100 lbs	5.1	20.0
			612 kg	499 kg		



Minimum	Icon	Maximum
35°F 1.7°C		110°F 43.3°C
35°F 1.7°C		90°F 32.2°C
20psi 138 kPa		80psi 551 kPa
18.3 16.9 17.9	 	A
		20 Amps
317 lbs 319 lbs 324 lbs	 	144 kg 145 kg 147 kg

KOOLAIRE®

by **Manitowoc**

2110 SOUTH 26TH ST | MANITOWOC, WI 54220 USA | 1-920-682-0161 | www.kool-aire.com